



ON-A-ROLL LIFTER® POWER JUMBO



With a powerful 12-volt DC motor, the On-a-Roll Lifter® Power Jumbo allows one operator to easily lift and lower rolls as heavy as 990 lbs (450 kg), as wide as 16 feet 5 inches (500 cm), and with diameters as great as 19.6 inches. This motorized lifter securely positions large and heavy rolls while providing a safe, effortless, and efficient solution for handling.



With the push of a button the Power Jumbo easily lifts and lowers.

IMPORTANT FEATURES

- Powerful DC motor easily lifts and lowers rolls, eliminating manual labor
- Power lift reduces roll changeover time
- Pair of heavy-duty swivel casters with easy step-on locking brake
- Reduces on-the-job injuries and enables all workers to move heavy rolls
- User-friendly operation avoids costly and dangerous handling mistakes that damage media
- Rugged construction ensures long lifter life
- Single-person operation saves labor and time

MODEL 61595

Roll Weight Capacity.....	450 kg (990 lbs)
Max. Lift Height.....	150 cm (58.95")
Max. Roll Width	500 cm (16' 5")
Max. Roll Diameter	50 cm (19.6")
Width x Depth.....	120 cm x 77.48 cm (47.24" x 30.51")
Height.....	155.5 cm (61.22")
Weight.....	170 kg (375 lbs)
Bottom Fork Clearance	11 cm (4.33")
Electric.....	12V/60AH DC motor
Battery.....	Maintenance free lead acid battery
Charger	Built-In 110V AC charger
Front Swivel Castors.....	3" ø x 1.81"W
Rear Swivel Castors	5" ø x 1.46"W

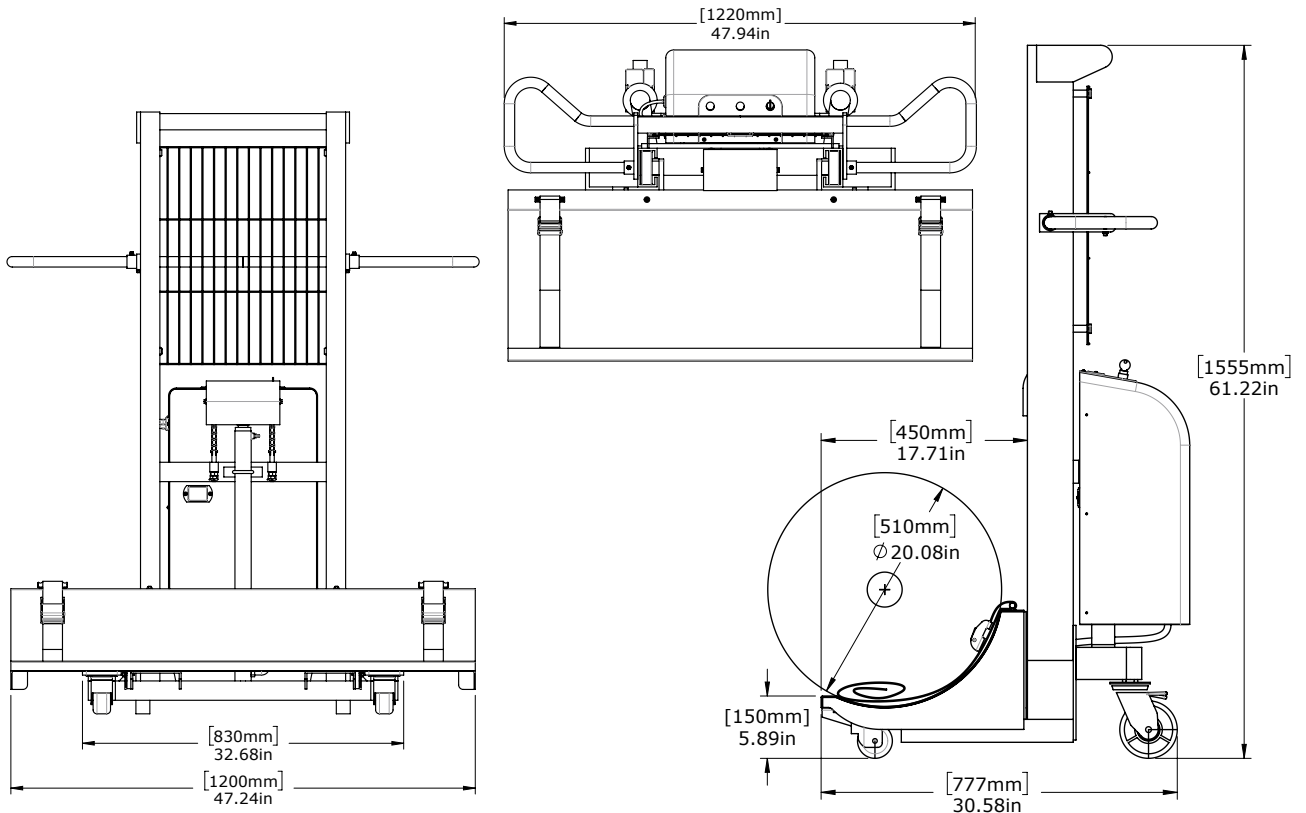
See drawings and dimensions on page 2 to determine if the #61595 is right for you.

800.523.4855 or 267.413.6220 • fax 267.413.6227

204B Progress Drive, Montgomeryville, PA 18936 USA • information@go-foster.com • www.go-foster.com



ON-A-ROLL LIFTER® POWER JUMBO SPECIFICATIONS 61595



TRAY OPTIONS



Roller Tray included for easy loading from pallets and heading large diameter, heavy rolls.



Optional #63292 **Roller Ramp Tray** for easy loading from the floor and handling large diameter, heavy rolls.



Optional #63215 **Roller Platform** is designed to allow operators to feed rolls into their machines directly from the lifter.



Optional #63119 **Roller Ball Tray** is designed to allow operators to easily load rolls on/off the tray and feed rolls into their machines

Power operated lifters carry a 1-YEAR WARRANTY under normal use for the battery and electric. 2-YEAR WARRANTY on hydraulics and media tray. 5-YEAR WARRANTY on cross bars.

800.523.4855 or 267.413.6220 • fax 267.413.6227

204B Progress Drive, Montgomeryville, PA 18936 USA • information@go-foster.com • www.go-foster.com